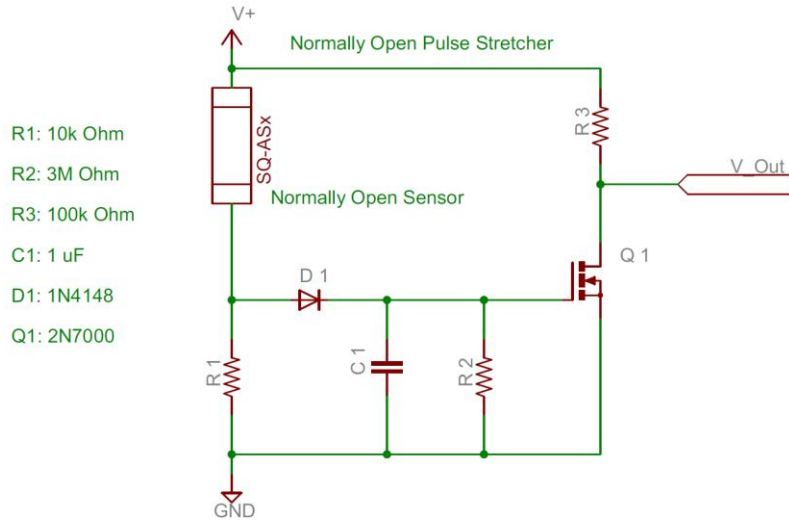


APPLICATION

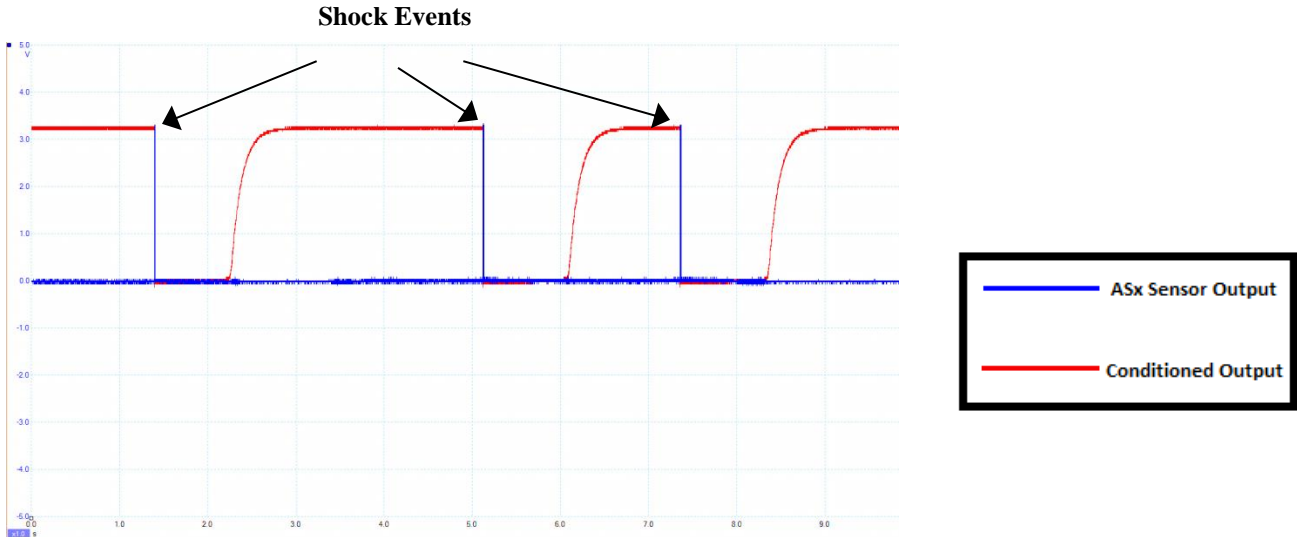
- Pulse Stretcher for Normally Open SQ-ASx

HIGHLIGHTS

- Zero power at rest
- Lengthens pulse and inverts polarity
- Components cost ~ \$0.03 at 10K volume



EXAMPLE OUTPUT

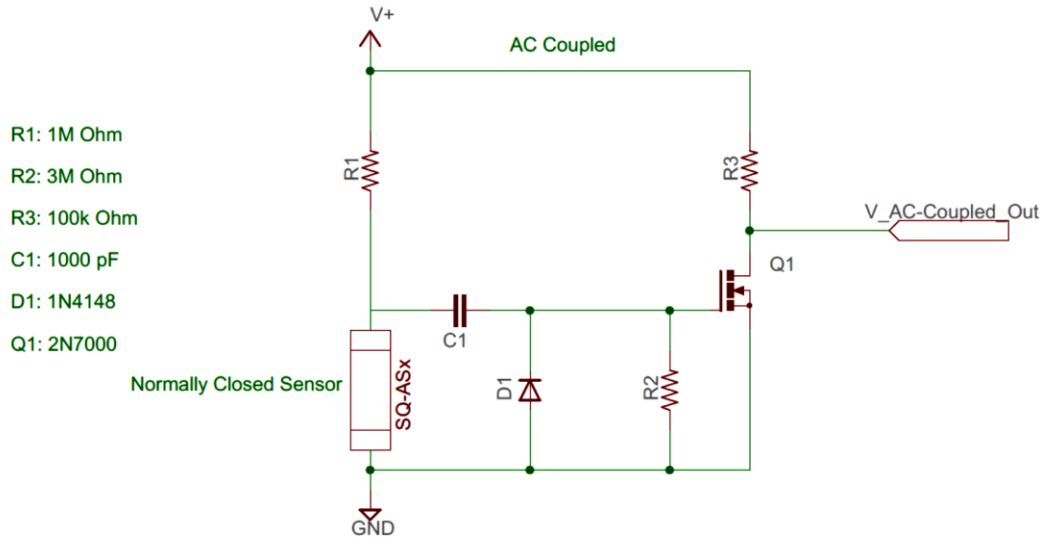


APPLICATION

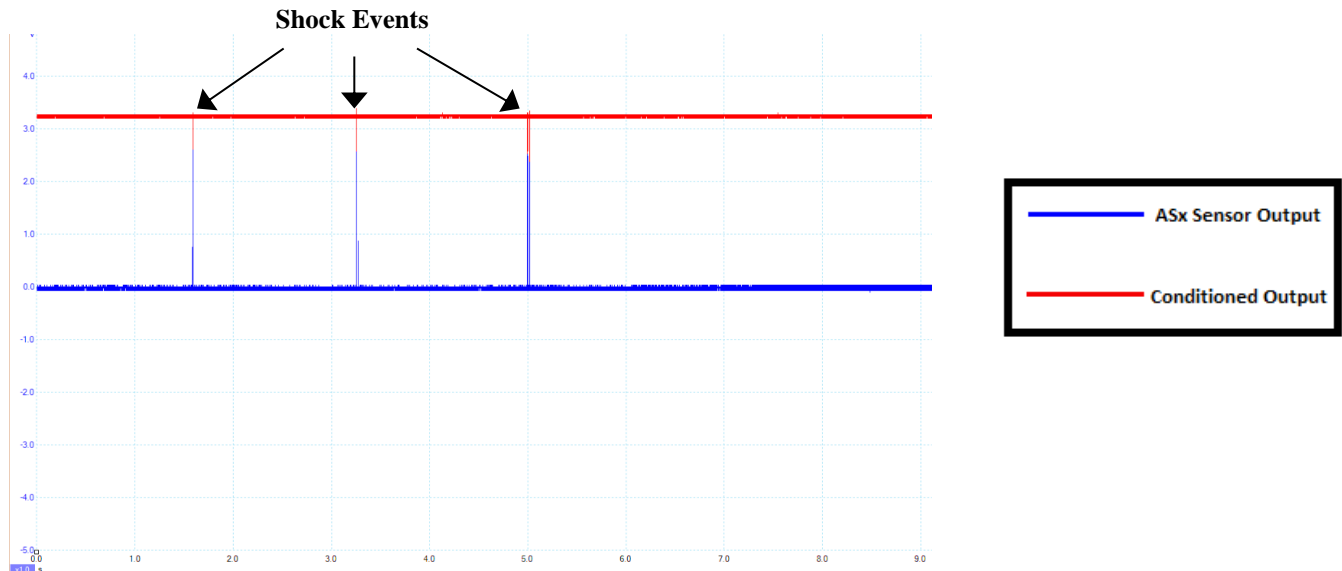
- AC Coupling for Normally Closed SQ-ASx

HIGHLIGHTS

- Low power (1.1µA at rest with 3.3V power supply)
- Eliminates problems in condition where switch settles open
- Components cost ~ \$0.03 at 10K volume



EXAMPLE OUTPUT

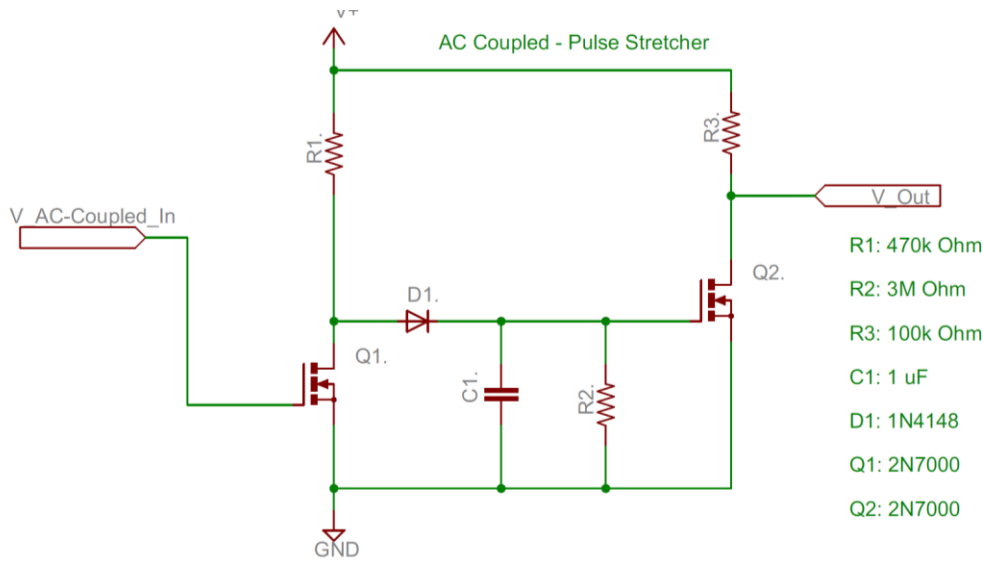


APPLICATION

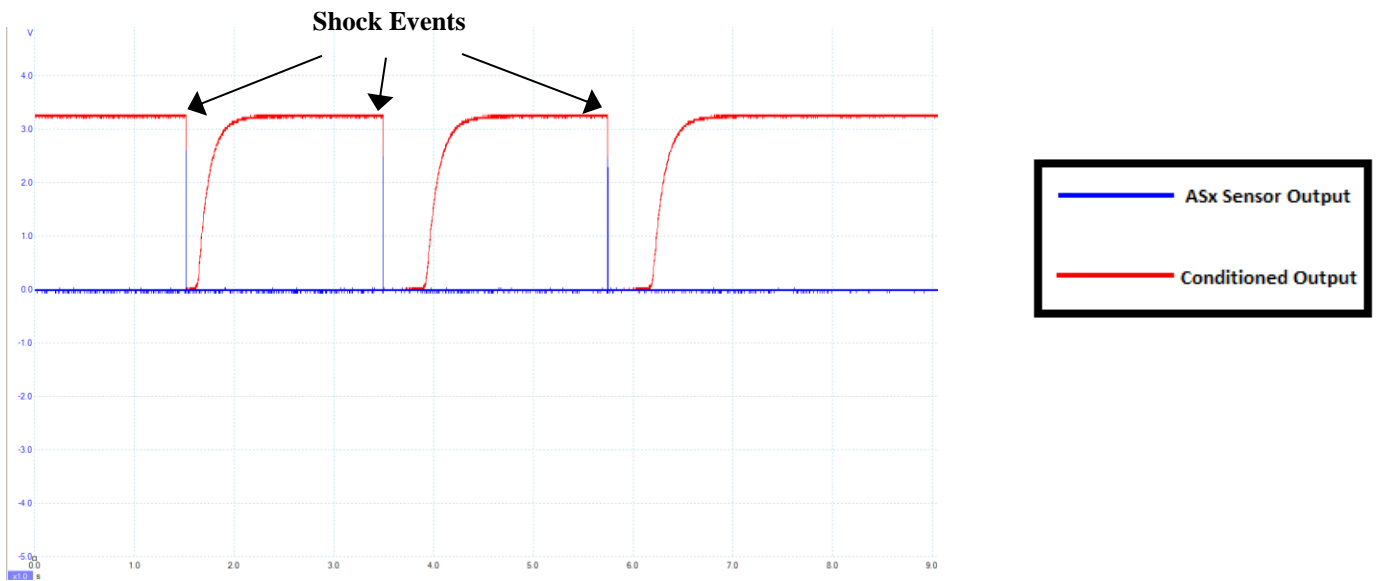
- Pulse Stretcher for Normally Closed SQ-ASx AC Coupling Circuit Output

HIGHLIGHTS

- Zero power at rest
- Lengthens pulse and inverts polarity
- Components cost ~ \$0.03 at 10K volume



EXAMPLE OUTPUT

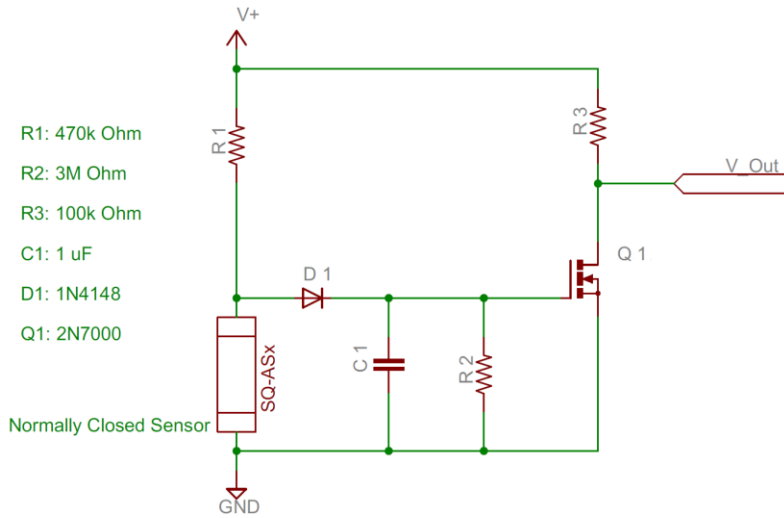


APPLICATION

- Pulse Stretcher for Normally Closed SQ-ASx

HIGHLIGHTS

- Low power (1.1µA at rest with 3.3V power supply)
- Components cost ~ \$0.03 at 10K volume



EXAMPLE OUTPUT

